



SCHLÜSSELTECHNOLOGIE :

BallisTec Carbon Konstruktion

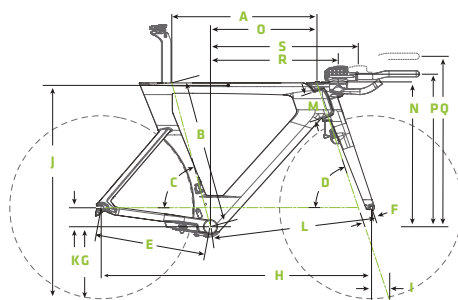
Aero **SAVE** Micro-Suspension

Di2 kompatibel

Si-System Integration

GEOMETRIE

	48	51	54	57	60
A HORIZONTAL TOP TUBE (CM)	47	48.9	50.7	52.6	54.5
B SEAT TUBE LENGTH (CM)	48.6	50.3	52.4	54.4	56.5
C SEAT TUBE ANGLE*	★	★	★	★	★
D HEAD TUBE ANGLE	★	★	71.5°	72°	72.5°
E CHAIN STAY LENGTH (CM)	40.5	★	★	★	★
F FORK RAKE (CM/IN)	4.5	★	★	★	★
G BOTTOM BRACKET HEIGHT (CM)	26.2	★	★	★	★
H WHEELBASE (CM)	96	98.1	100	101.7	103.4
I TRAIL (CM)	6.8	6.8	6.6	6.3	6
J STANDOVER (CM)	73.9	75.6	77.7	79.7	81.7
K BOTTOM BRACKET DROP (CM)	7.7	★	★	★	★
L FRONT CENTER (CM)	56.3	58.3	60.2	61.9	63.6
M HEAD TUBE LENGTH (CM)	8	9.8	11.8	13.7	15.6
N STACK (CM)	48.7	50.7	52.7	54.7	56.7
O REACH (CM)	37.5	39	40.5	42	43.5



KATEGORIE

Triathlon

LAUFRAD-/REIFENGRÖSSE

700x25



C18307M

Slice Ultegra Di2

▽	FRAME	Slice, BallisTec Carbon, AERO SAVE, Di2 ready, PF30A
┆	FORK	Slice, BallisTec Carbon, 1-1/8"
○	RIMS	Vision Team 30 Comp
┆	HUBS	Vision Team 30 Comp
✱	SPOKES	Vision Team 30 Comp
⋯	TIRES	Schwalbe ONE, 700x25c, folding
⊕	CRANK	Cannondale Si, BB30a, FSA rings, 52/36
⊕	CRANK OPTION	N/A
┆	BOTTOM BRACKET	Cannondale Alloy PressFit30A
○	CHAIN	Shimano HG601, 11-speed
┆	REAR COGS	Shimano 105, 11-28, 11-speed
┆	FRONT DERAILLEUR	Shimano Ultegra Di2, braze-on
┆	REAR DERAILLEUR	Shimano Ultegra Di2

⊕	SHIFTERS	Shimano Ultegra Di2 Aero
┆	HANDLEBAR	Cannondale C3 base bar, 31.8 w/ FSA Tri Max Team clip ons
┆	GRIPS	Cannondale Bar Tape w/Gel, 2.5mm
┆	STEM	Cannondale C2, 7050 Alloy, 31.8, 6 deg.
⊕	HEADSET	Slice, Si, 25mm carbon top cap, 5mm hidden top cap
┆	BRAKES	Vision Trimax Aero Front, Shimano 105 Rear, Direct Mount
┆	BRAKE LEVERS	Alloy Aero Levers
┆	SADDLE	Fabric Flat Elite
┆	SEATPOST	Slice Aero carbon
┆	SIZES	48,51,54,57,60
┆	COLOR 1	Berzerker Green w/ Jet Black and Volt, Gloss - GRN
┆	COLOR 2	N/A
┆	EXTRAS	N/A



C18307M

Slice 105

▽	FRAME	Slice, BallisTec Carbon, AERO SAVE, Di2 ready, PF30A
┆	FORK	Slice, BallisTec Carbon, 1-1/8"
┆	REAR SHOCK	N/A
○	RIMS	Vision Team 30 Comp
┆	HUBS	Vision Team 30 Comp
✱	SPOKES	Vision Team 30 Comp
⋯	TIRES	Schwalbe Lugano, 700x25c, folding
┆	PEDALS	
⊕	CRANK	Cannondale Si, BB30a, FSA rings, 52/36
⊕	CRANK OPTION	
┆	BOTTOM BRACKET	FSA PF30A
○	CHAIN	Shimano CN-HG601, 11-speed
┆	REAR COGS	Shimano 105 5800, 11-28, 11-speed
┆	FRONT DERAILLEUR	Shimano 105 5800, braze-on

┆	REAR DERAILLEUR	Shimano 105 5800
⊕	SHIFTERS	MicroShift bar-end Carbon
┆	HANDLEBAR	Cannondale C3 base bar, 31.8 w/ FSA Tri Max Team clip ons
┆	GRIPS	Cannondale Bar Tape w/Gel, 2.5mm
┆	STEM	Cannondale C3, 6061 Alloy, 31.8, 6 deg.
⊕	HEADSET	Slice, Si, 25mm carbon top cap, 5mm hidden top cap
┆	BRAKES	Shimano 105 5800, Direct Mount
┆	BRAKE LEVERS	Alloy Aero Levers
┆	SADDLE	Cannondale Ergo Tri
┆	SEATPOST	Slice Aero carbon
┆	SIZES	48,51,54,57,60
┆	COLOR 1	Acid Red w/ Nearly Black, Gloss - ARD
┆	COLOR 2	N/A
┆	EXTRAS	N/A